

MADE IN ITALY



**POWER  
SYSTEM**  
AIR COMPRESSORS

Oil injected rotary  
screw compressors  
with direct transmission.

**NOBEL**

FIXED SPEED  
from 5.5 to 37 kW

**NOBEL DV**

VARIABLE SPEED  
from 7.5 to 37 kW



# NOBEL - NOBEL DV

Rotary screw compressors featuring direct drive.



## High efficiency with maximum energy savings

Power System engineered Direct drive transmission.  
Optimised component technology.  
Utilisation of new generation high efficiency motors,  
drive and inverter technology.



## Silent

The very low operating speed along with the use of radial cooling fans allows NOBEL series compressors to achieve the lowest noise levels in the sector, between 60 and 70 dB(A).



## Simplified maintenance

All service access has been made simple and extremely convenient reducing down time and service costs.

5.5-7.5 kW



11-15 kW



## Robust construction

The coaxial or gear driven transmission minimises maintenance and increases the reliability and longevity of the machine.  
The combination of proven technologies along with components designed and built by Power System, guarantees high efficiency and premium reliability.

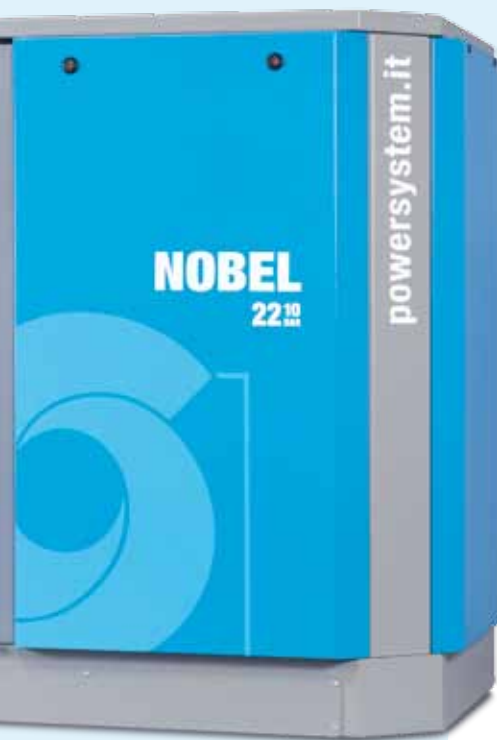


## Remote monitoring and preventive maintenance

The SMS system, which is utilised with the DNAir2 controller, allows for the remote control of the compressor and for the provision of alarm signals in case of any incidents.

# A complete range of products: 4 cabinet sizes, 94 configurations, suitable for any specific application

18.5-22 kW



30-37 kW



## 5,5-7,5 kW

- Floor mounted
- Floor mounted with integrated refrigerated dryer
- Receiver mounted (with and without refrigerated dryer)
- Fixed speed
- Variable speed (7.5 kW)

## 11-15 kW

- Floor mounted
- Floor mounted with integrated refrigerated dryer
- Receiver mounted (with and without refrigerated dryer)
- Fixed speed
- Variable speed

## 18,5-22 kW

- Floor mounted
- Floor mounted with integrated refrigerated dryer
- Fixed speed
- Variable speed

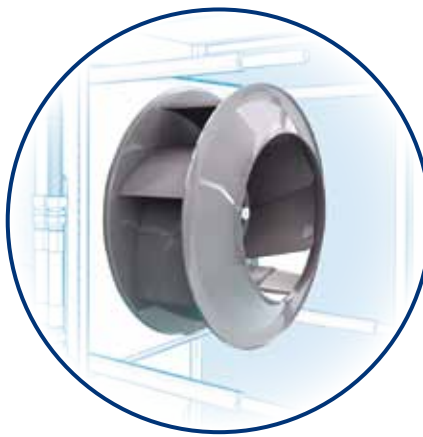
## 30-37 kW

- Floor mounted
- Floor mounted with integrated refrigerated dryer
- Fixed speed
- Variable speed



### DNAir2 controller

Simple and intuitive, sophisticated functionality and flexible programming.



### Radial ventilation

Combines the highest cooling efficiency with reduced energy consumption and very low noise levels.



### Inverter

The latest generation inverter drive, allows for a controlled use of energy minimising CO<sub>2</sub> output and lowering energy costs.



### Refrigerated dryer (optional)

With a new design, which also includes the inlet filter and final filter to provide clean and dry compressed air and to simplify installation and at the same time reducing the space requirement. The function and control of the dryer is handled by the DNAir2 controller.



### Thermostatic valve

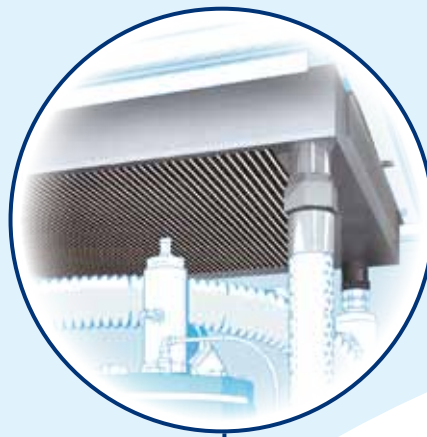
Controls the coolant flow avoiding sudden temperature changes and reduces the risk of condensation being formed.





### Minimum pressure valve

Designed by Power System to guarantee low pressure losses and reduced energy consumption.



### Heat exchangers

Generously dimensioned coolers combining high efficiency heat transfer and low pressure loss.



### Integrated condensate drain

Available in standard configuration in models from 11 to 37 kW (without refrigerated dryer) and controlled by the DNAir2.

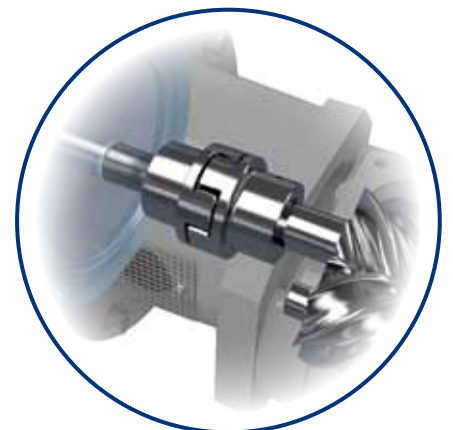


### Intake regulator

Designed 'in house' by Power System, guaranteeing high efficiency, reduced noise levels and the highest reliability.

### Transmission

Original Power System design offering the highest efficiency with ultimate reliability in both the direct and gear adopted versions.



# Optimal control and adjustment



## Innovative DNAir2 controller

The innovative DNAir2 controller is utilised on all NOBEL models. Specially designed for simple and flexible programming, it adjusts and controls the operation of the compressor, guaranteeing its efficiency and safety. The user-friendly interface consists of a large backlit LCD display, with simple and clearly understood icons. All commands and functions are accessed easily using multilingual drop-down menus.

## Compressor rotation management

With the fixed speed variants of NOBEL, it is possible for up to 4 compressors to be connected simultaneously. The controller software provides the ability to balance each machine's operating hours and at the same time the pre-set pressure values are rotated along with the machine sequence.



The main screen display indicates:

- operating pressures;
- oil temperature;
- compressor status (stand-by, un-loaded, loaded);
- fan status (off/on);
- date and time;
- remaining hours for maintenance;
- flow rate supplied percentage (for machines with inverter);
- visual indicator of the dryer's dew point (integrated dryer versions).

## SMS Device (Service Management System)

SMS is an innovative new device that allows operators and service centres the possibility to remotely control and perform preventive maintenance checks on screw compressors equipped with a DNAir2 controller. These facilities are provided when the device is configured for local internet network via Wi-Fi or Ethernet connectivity. The SMS system allows for e-mails to be sent automatically in the case of a fault or other anomalies and/or for automatic regular e-mails (hourly, daily or weekly) to be sent to monitor the proper operation of the compressor and to define the remaining hours for service. Other Information and settings can be accessed remotely aimed at safeguarding the reliability of the system.

### Preventive and targeted maintenance

- automatic sending of e-mails in case of alarms,
- possibility of sending e-mails which notify the compressor status and settings at pre-set intervals (hourly, daily or weekly).

### Remote control of the compressor

- access to the various menu levels (user, service),
- compressor online status check,
- on/off control,
- no additional software is required



# NOBEL DV

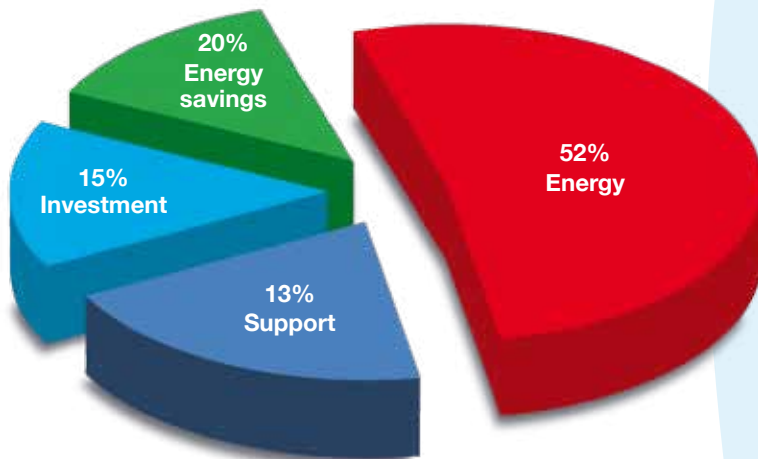
## Maximum energy efficiency

### Variable speed with inverter drive

The reduction of energy consumption and the protection of our precious environmental resources is one of the major global challenges in our times.

Thanks to decades of experience in the industry, Power System is recognised as a technological leader in the field of variable speed compressors, capable of guaranteeing high performance levels and efficient energy solutions.

The optimised frequency converter provides the capability to dynamically regulate the frequency, voltage and current values supplied to the main electric motor, constantly eliminating useless power drops, continuously adjusting the compressed air generation in line with the amount of compressed air that is required.



#### MANAGEMENT COSTS

*The graph shows the considerable energy savings achieved with a variable speed compressor in a typical installation.*

The benefits of using the NOBEL DV with inverter are remarkable:

- continuous control and regulation of the volume of air generated by varying the speed of the electric motor from 30% up to 100% of the motors full speed;
- the compressed air generated is therefore constantly proportional to the requirements of the system;
- the pressure control inside the system is controlled accurately and precisely, in a range between 6 and 13 bar, depending on the chosen compressor model.



# Savings energy in your company? It is possible!

The energy efficiency of a production plant or any application using compressed air is most important as it may represent a very significant part of the whole energy consumption for the facility. The proper control of compressed air generation provides countless opportunities for the application to Improve the whole production process, in terms of energy consumption, efficiency, costs and emissions.

Based upon decades of experience in the industrial sector, Power System provides a professional auditing service to our clients. Our skilled technicians, using advanced measurement and analysis equipment (EATool and EASoftware) can carry out a full audit of any system. This allows us to fully understand your system demands, existing energy consumption and wastage.

Our advanced simulation software then allows us to propose various technical options that are aimed at providing considerable economic and energy consumption based savings.

## EASoftware

- Using accurate data on the actual consumption or generation of compressed air in the system along with existing energy usage.
- Providing a complete and precise Energy Audit of the system (air generated, system load, pattern of use, pressure etc.).
- provides options for an alternative system that might include one or more compressors and controls as a possible alternative to the existing installation, to provide maximum energy savings and a reduction in wasted energy.



## EATool

- Designed to measure compressed air systems in which up to 4 compressors will operate.
- Measurements are downloaded to a USB drive or USB/PC.
- Supplied: up to 4 x 400 A ampere clamps (optional up to 1000A) and a pressure sensor.
- Analyses any period (usually eight days).

# Technical data

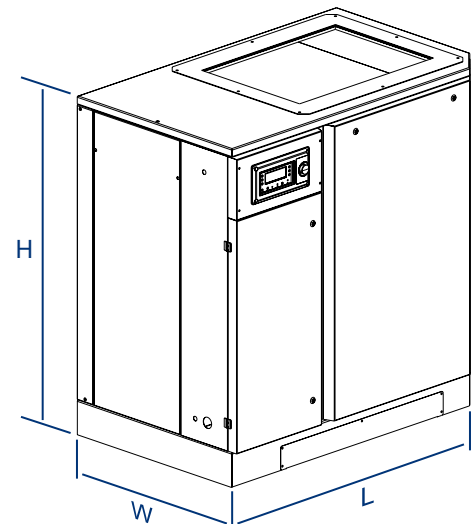


## NOBEL 5.5-7.5 kW

	Code	Receiver		Power		Air outflow rate (DV = max. / min.)		Max. pressure		Sound level dB(A)	Connec- tion Ø	Net weight		Net dimensions		Gross weight		Gross dimensions	
		ℓ		kW	HP	m³/min.	c.f.m.	bar	p.s.i.			kg	Lbs	LxWxH (cm)	kg	Lbs	LxWxH (cm)		
<b>NOBEL 5.5</b>																			
NOBEL 5.5-10	V60FZ92PWS445	-		5.5	7	0.71	25	10	145	62	1/2"	160	353	88x70x85	174	384	94x77x102		
NOBEL 5.5-10-270	V91FZ92PWS480	270		5.5	7	0.71	25	10	145	62	1/2"	260	573	157x70x144	295	650	172x75x168		
NOBEL 5.5-10-270 DF	V91FZ92PWS580	270		5.5	7	0.71	25	10	145	62	1/2"	295	650	157x71x144	320	705	172x75x168		
<b>NOBEL 7.5</b>																			
NOBEL 7.5-10	V60CB92PWS445	-		7.5	10	1.05	37	10	145	62	1/2"	165	364	88x70x85	179	395	94x77x102		
NOBEL 7.5-13	V60CC92PWS445	-		7.5	10	0.70	25	13	189	62	1/2"	165	364	88x70x85	179	395	94x77x102		
NOBEL 7.5-10 DF	V60CB92PWS545	-		7.5	10	1.05	37	10	145	62	1/2"	215	474	123x71x85	235	518	129x77x103		
NOBEL 7.5-10-270	V91CB92PWS480	270		7.5	10	1.05	37	10	145	62	1/2"	265	584	157x70x144	300	661	172x75x168		
NOBEL 7.5-10-500	V83CB92PWS480	500		7.5	10	1.05	37	10	145	62	1/2"	345	761	200x70x153	385	849	206.5x80x170		
NOBEL 7.5-10-270 DF	V91CB92PWS580	270		7.5	10	1.05	37	10	145	62	1/2"	300	661	157x71x144	335	739	172x75x168		
NOBEL 7.5-10-500 DF	V83CB92PWS580	500		7.5	10	1.05	37	10	145	62	1/2"	380	838	200x71x153	420	926	206.5x80x170		
<b>NOBEL 7.5 DV</b>																			
NOBEL 7.5-08 DV	V60CA97PWS445	-		7.5	10	1.3 / 0.6	46 / 21	8	116	63	1/2"	180	397	88x70x85	194	428	94x77x102		
NOBEL 7.5-10 DV	V60CB97PWS445	-		7.5	10	1.1 / 0.5	39 / 18	10	145	63	1/2"	180	397	88x70x85	194	428	94x77x102		
NOBEL 7.5-08 DVF	V60CA97PWS545	-		7.5	10	1.3 / 0.6	46 / 21	8	116	63	1/2"	215	474	123x71x85	235	518	129x77x103		
NOBEL 7.5-10 DVF	V60CB97PWS545	-		7.5	10	1.1 / 0.5	39 / 18	10	145	63	1/2"	215	474	123x71x85	235	518	129x77x103		
NOBEL 7.5-08-270 DV	V91CA97PWS480	270		7.5	10	1.3 / 0.6	46 / 21	8	116	63	1/2"	280	617	157x70x144	315	694	172x75x168		
NOBEL 7.5-10-270 DV	V91CB97PWS480	270		7.5	10	1.1 / 0.5	39 / 18	10	145	63	1/2"	280	617	157x70x144	315	694	172x75x168		
NOBEL 7.5-08-270 DVF	V91CA97PWS580	270		7.5	10	1.3 / 0.6	46 / 21	8	116	63	1/2"	315	694	157x71x144	350	772	172x75x168		
NOBEL 7.5-10-270 DVF	V91CB97PWS580	270		7.5	10	1.1 / 0.5	39 / 18	10	145	63	1/2"	315	694	157x71x144	350	772	172x75x168		

Reference conditions: air intake temperature 20°C (68°F) – atmospheric pressure 1 bar (14.5 p.s.i.).  
Air flow was measured in the following operative pressures: 7.5 bar for models at 8 bar -  
9.5 bar for models at 10 bar - 12.5 bar for models at 13 bar.  
The data and results were measured in accordance with standard ISO 1217.  
The sound level was measured in accordance with standard ISO 3744.

<b>DV</b>	<b>variable speed</b>
<b>DF</b>	<b>with refrigerated dryer</b>
<b>DVF</b>	<b>variable speed with refrigerated dryer</b>





## NOBEL 11-15 kW

Code	Receiver	Power		Air outflow rate (DV = max. / min.)		Max. pressure		Sound level dB(A)	Connection Ø	Net weight		Net dimensions		Gross weight		Gross dimensions	
		ℓ	kW	HP	m³/min.	c.f.m.	bar			p.s.i.	kg	Lbs	LxWxH (cm)	kg	Lbs	LxWxH (cm)	
<b>NOBEL 11</b>																	
NOBEL 11-08	V60CD92PWS445	-	11	15	1.7	60	8	116	67	3/4"	250	551	110x75x100	270	595	120x81x118	
NOBEL 11-10	V60CE92PWS445	-	11	15	1.6	57	10	145	67	3/4"	250	551	110x75x100	270	595	120x81x118	
NOBEL 11-13	V60CF92PWS445	-	11	15	1.25	44	13	189	67	3/4"	250	551	110x75x100	270	595	120x81x118	
NOBEL 11-08 DF	V60CD92PWS545	-	11	15	1.7	60	8	116	67	3/4"	310	683	145x76x100	332	732	150.5x81x118	
NOBEL 11-10 DF	V60CE92PWS545	-	11	15	1.6	57	10	145	67	3/4"	310	683	145x76x100	332	732	150.5x81x118	
NOBEL 11-13 DF	V60CF92PWS545	-	11	15	1.25	44	13	189	67	3/4"	310	683	145x76x100	332	732	150.5x81x118	
NOBEL 11-08-500	V83CD92PWS480	500	11	15	1.7	60	8	116	67	3/4"	390	860	200x75x167	430	948	206.5x80x185	
NOBEL 11-10-500	V83CE92PWS480	500	11	15	1.6	57	10	145	67	3/4"	390	860	200x75x167	430	948	206.5x80x185	
NOBEL 11-13-500	V83CF92PWS480	500	11	15	1.25	44	13	189	67	3/4"	390	860	200x75x167	430	948	206.5x80x185	
NOBEL 11-08-500 DF	V83CD92PWS580	500	11	15	1.7	60	8	116	67	3/4"	443	977	200x75x167	485	1069	206.5x80x185	
NOBEL 11-10-500 DF	V83CE92PWS580	500	11	15	1.6	57	10	145	67	3/4"	443	977	200x75x167	485	1069	206.5x80x185	
NOBEL 11-13-500 DF	V83CF92PWS580	500	11	15	1.25	44	13	189	67	3/4"	443	977	200x75x167	485	1069	206.5x80x185	
<b>NOBEL 11 DV</b>																	
NOBEL 11-08 DV	V60CD97PWS445	-	11	15	1.7 / 0.68	60 / 24	8	116	67	3/4"	250	551	110x75x100	270	595	120x81x118	
NOBEL 11-10 DV	V60CE97PWS445	-	11	15	1.58 / 0.62	56 / 22	10	145	67	3/4"	250	551	110x75x100	270	595	120x81x118	
NOBEL 11-08 DVF	V60CD97PWS545	-	11	15	1.7 / 0.68	60 / 24	8	116	67	3/4"	310	683	145x76x100	332	732	150.5x81x118	
NOBEL 11-10 DVF	V60CE97PWS545	-	11	15	1.58 / 0.62	56 / 22	10	145	67	3/4"	310	683	145x76x100	332	732	150.5x81x118	
NOBEL 11-08-500 DV	V83CD97PWS480	500	11	15	1.7 / 0.68	60 / 24	8	116	67	3/4"	390	860	200x75x167	430	948	206.5x80x185	
NOBEL 11-10-500 DV	V83CE97PWS480	500	11	15	1.58 / 0.62	56 / 22	10	145	67	3/4"	390	860	200x75x167	430	948	206.5x80x185	
NOBEL 11-08-500 DVF	V83CD97PWS580	500	11	15	1.7 / 0.68	60 / 24	8	116	67	3/4"	443	977	200x75x167	485	1069	206.5x80x185	
NOBEL 11-10-500 DVF	V83CE97PWS580	500	11	15	1.58 / 0.62	56 / 22	10	145	67	3/4"	443	977	200x75x167	485	1069	206.5x80x185	
<b>NOBEL 15</b>																	
NOBEL 15-10	V60CH92PWS445	-	15	20	2.1	74	10	145	67	3/4"	250	551	110x75x100	270	595	120x81x118	
NOBEL 15-13	V60CL92PWS445	-	15	20	1.55	55	13	189	67	3/4"	250	551	110x75x100	270	595	120x81x118	
NOBEL 15-10 DF	V60CH92PWS545	-	15	20	2.1	74	10	145	67	3/4"	310	683	145x76x100	332	732	150.5x81x118	
NOBEL 15-13 DF	V60CL92PWS545	-	15	20	1.55	55	13	189	67	3/4"	310	683	145x76x100	332	732	150.5x81x118	
NOBEL 15-10-500	V83CH92PWS480	500	15	20	2.1	74	10	145	67	3/4"	390	860	200x75x167	430	948	206.5x80x185	
NOBEL 15-13-500	V83CL92PWS480	500	15	20	1.55	55	13	189	67	3/4"	390	860	200x75x167	430	948	206.5x80x185	
NOBEL 15-10-500 DF	V83CH92PWS580	500	15	20	2.1	74	10	145	67	3/4"	443	977	200x75x167	485	1069	206.5x80x185	
NOBEL 15-13-500 DF	V83CL92PWS580	500	15	20	1.55	55	13	189	67	3/4"	443	977	200x75x167	485	1069	206.5x80x185	
<b>NOBEL 15 DV</b>																	
NOBEL 15-08 DV	V60CG97PWS445	-	15	20	2.5 / 0.95	88 / 34	8	116	68	3/4"	250	551	110x75x100	270	595	120x81x118	
NOBEL 15-10 DV	V60CH97PWS445	-	15	20	2.1 / 0.84	74 / 30	10	145	68	3/4"	250	551	110x75x100	270	595	120x81x118	
NOBEL 15-08 DVF	V60CG97PWS545	-	15	20	2.5 / 0.95	88 / 34	8	116	68	3/4"	310	683	145x76x100	332	732	150.5x81x118	
NOBEL 15-10 DVF	V60CH97PWS545	-	15	20	2.1 / 0.84	74 / 30	10	145	68	3/4"	310	683	145x76x100	332	732	150.5x81x118	
NOBEL 15-08-500 DV	V83CG97PWS480	500	15	20	2.5 / 0.95	88 / 34	8	116	68	3/4"	390	860	200x75x167	430	948	206.5x80x185	
NOBEL 15-10-500 DV	V83CH97PWS480	500	15	20	2.1 / 0.84	74 / 30	10	145	68	3/4"	390	860	200x75x167	430	948	206.5x80x185	
NOBEL 15-08-500 DVF	V83CG97PWS580	500	15	20	2.5 / 0.95	88 / 34	8	116	68	3/4"	443	977	200x75x167	485	1069	206.5x80x185	
NOBEL 15-10-500 DVF	V83CH97PWS580	500	15	20	2.1 / 0.84	74 / 30	10	145	68	3/4"	443	977	200x75x167	485	1069	206.5x80x185	

Reference conditions: air intake temperature 20°C (68°F) – atmospheric pressure 1 bar (14.5 p.s.i.).

Air flow was measured in the following operative pressures: 7.5 bar for models at 8 bar - 9.5 bar for models at 10 bar - 12.5 bar for models at 13 bar.

The data and results were measured in accordance with standard ISO 1217.

The sound level was measured in accordance with standard ISO 3744.

# Technical data



## NOBEL 18.5-22 kW

	Code	Power		Air outflow rate (DV = max. / min.)		Max. pressure		Sound level dB(A)	Connec- tion Ø	Net weight		Net dimensions L x W x H (cm)	Gross weight		Gross dimensions L x W x H (cm)
		kW	HP	m³/min.	c.f.m.	bar	p.s.i.			kg	Lbs		kg	Lbs	
<b>NOBEL 18.5</b>															
NOBEL 18.5-08	V60GL92PWS445	18.5	25	3	106	7.5	109	62	1" 1/4	615	1356	137x88x136	696	1534	150x100x160
NOBEL 18.5-10	V60GM92PWS445	18.5	25	2.6	92	10	145	62	1" 1/4	615	1356	137x88x136	696	1534	150x100x160
NOBEL 18.5-08 DF	V60GL92PWS545	18.5	25	3	106	7.5	109	62	1" 1/4	685	1510	172x88x136	766	1689	186x100x160
NOBEL 18.5-10 DF	V60GM92PWS545	18.5	25	2.6	92	10	145	62	1" 1/4	685	1510	172x88x136	766	1689	186x100x160
<b>NOBEL 18.5 DV</b>															
NOBEL 18.5-08 DV	V60GL97PWS445	18.5	25	3.1 / 1.07	109 / 38	7.5	109	62	1" 1/4	615	1356	137x88x136	696	1534	150x100x160
NOBEL 18.5-10 DV	V60GM97PWS445	18.5	25	2.6 / 0.93	92 / 33	9.5	138	62	1" 1/4	615	1356	137x88x136	696	1534	150x100x160
NOBEL 18.5-08 DVF	V60GL97PWS545	18.5	25	3.1 / 1.07	109 / 38	12.5	181	62	1" 1/4	685	1510	172x88x136	766	1689	186x100x160
NOBEL 18.5-10 DVF	V60GM97PWS545	18.5	25	2.6 / 0.93	92 / 33	10	145	62	1" 1/4	685	1510	172x88x136	766	1689	186x100x160
<b>NOBEL 22</b>															
NOBEL 22-08	V60GP92PWS445	22	30	3.6	127	7.5	109	60	1" 1/4	650	1433	137x88x136	731	1612	150x100x160
NOBEL 22-10	V60GQ92PWS445	22	30	3.1	109	10	145	62	1" 1/4	650	1433	137x88x136	731	1612	150x100x160
NOBEL 22-13	V60GR92PWS445	22	30	2.6	92	13	189	62	1" 1/4	650	1433	137x88x136	731	1612	150x100x160
NOBEL 22-08 DF	V60GP92PWS545	22	30	3.6	127	7.5	109	60	1" 1/4	720	1587	172x88x136	801	1766	186x100x160
NOBEL 22-10 DF	V60GQ92PWS545	22	30	3.1	109	10	145	62	1" 1/4	720	1587	172x88x136	801	1766	186x100x160
NOBEL 22-13 DF	V60GR92PWS545	22	30	2.6	92	13	189	62	1" 1/4	720	1587	172x88x136	801	1766	186x100x160
<b>NOBEL 22 DV</b>															
NOBEL 22-08 DV	V60GP97PWS445	22	30	3.6 / 1.17	127 / 41	7.5	109	64	1" 1/4	650	1433	137x88x136	731	1612	150x100x160
NOBEL 22-10 DV	V60GQ97PWS445	22	30	3.01 / 1.17	106 / 41	9.5	138	62	1" 1/4	650	1433	137x88x136	731	1612	150x100x160
NOBEL 22-13 DV	V60GR97PWS445	22	30	2.56 / 0.96	90 / 34	12.5	181	62	1" 1/4	650	1433	137x88x136	731	1612	150x100x160
NOBEL 22-08 DVF	V60GP97PWS545	22	30	3.6 / 1.17	127 / 41	7.5	109	64	1" 1/4	720	1587	172x88x136	801	1766	186x100x160
NOBEL 22-10 DVF	V60GQ97PWS545	22	30	3.01 / 1.17	106 / 41	9.5	138	62	1" 1/4	720	1587	172x88x136	801	1766	186x100x160
NOBEL 22-13 DVF	V60GR97PWS545	22	30	2.56 / 0.96	90 / 34	12.5	181	62	1" 1/4	720	1587	172x88x136	801	1766	186x100x160

Reference conditions: air intake temperature 20°C (68°F) – atmospheric pressure 1 bar (14.5 p.s.i.).

Air flow was measured in the following operative pressures: 7 bar for models at 7.5 bar - 9 bar for models at 9.5 bar - 9.5 bar for models at 10 bar - 12 bar for models at 12.5 bar - 12.5 bar for models at 13 bar.

The data and results were measured in accordance with standard ISO 1217.

The sound level was measured in accordance with standard ISO 3744.



## NOBEL 30-37 kW

Code	Power		Air outflow rate (DV = max. / min.)		Max. pressure		Sound level	Connec- tion	Net weight		Net dimensions		Gross weight		Gross weight	
	kW	HP	m <sup>3</sup> /min.	c.f.m.	bar	p.s.i.	dB(A)	Ø	kg	Lbs	L x W x H (cm)	kg	Lbs	L x W x H (cm)		
<b>NOBEL 30</b>																
NOBEL 30-08	V60CM92PWS445	30	40	4.85	171	7.5	109	68	1" 1/2	1000	2205	162x102x156	1100	2425	180x116x178	
NOBEL 30-10	V60CP92PWS445	30	40	4.3	152	10	145	68	1" 1/2	1000	2205	162x102x156	1100	2425	180x116x178	
NOBEL 30-08 DF	V60CM92PWS545	30	40	4.85	171	7.5	109	68	1" 1/2	1090	2403	196x102x156	1190	2623	212x116x178	
NOBEL 30-10 DF	V60CP92PWS545	30	40	4.3	152	10	145	68	1" 1/2	1090	2403	196x102x156	1190	2623	212x116x178	
<b>NOBEL 30 DV</b>																
NOBEL 30-08 DV	V60CM97PWS445	30	40	4.85 / 1.98	171 / 70	7.5	109	68	1" 1/2	1000	2205	162x102x156	1100	2425	180x116x178	
NOBEL 30-10 DV	V60CP97PWS445	30	40	4.3 / 1.6	152 / 57	9.5	138	68	1" 1/2	1000	2205	162x102x156	1100	2425	180x116x178	
NOBEL 30-08 DVF	V60CM97PWS545	30	40	4.85 / 1.98	171 / 70	7.5	109	68	1" 1/2	1090	2403	196x102x156	1190	2623	212x116x178	
NOBEL 30-10 DVF	V60CP97PWS545	30	40	4.3 / 1.6	152 / 57	9.5	138	68	1" 1/2	1090	2403	196x102x156	1190	2623	212x116x178	
<b>NOBEL 37</b>																
NOBEL 37-08	V60CT92PWS445	37	50	6.6	233	7.5	109	70	1" 1/2	1090	2403	162x102x156	1190	2623	180x116x178	
NOBEL 37-10	V60CU92PWS445	37	50	5.2	184	10	145	70	1" 1/2	1030	2271	162x102x156	1130	2491	180x116x178	
NOBEL 37-13	V60CV92PWS445	37	50	4.65	164	13	189	68	1" 1/2	1030	2271	162x102x156	1130	2491	180x116x178	
NOBEL 37-08 DF	V60CT92PWS545	37	50	6.6	233	7.5	109	70	1" 1/2	1180	2601	196x102x156	1280	2822	212x116x178	
NOBEL 37-10 DF	V60CU92PWS545	37	50	5.2	184	10	145	70	1" 1/2	1120	2469	196x102x156	1220	2690	212x116x178	
NOBEL 37-13 DF	V60CV92PWS545	37	50	4.65	164	13	189	68	1" 1/2	1120	2469	196x102x156	1220	2690	212x116x178	
<b>NOBEL 37 DV</b>																
NOBEL 37-08 DV	V60CT97PWS445	37	50	6.6 / 2.68	233 / 95	7.5	109	70	1" 1/2	1090	2403	162x102x156	1190	2623	180x116x178	
NOBEL 37-10 DV	V60CU97PWS445	37	50	5.4 / 1.71	191 / 61	9.5	138	69	1" 1/2	1030	2271	162x102x156	1130	2491	180x116x178	
NOBEL 37-13 DV	V60CV97PWS445	37	50	4.52 / 1.70	160 / 60	12.5	181	67	1" 1/2	1030	2271	162x102x156	1130	2491	180x116x178	
NOBEL 37-08 DVF	V60CT97PWS545	37	50	6.6 / 2.68	233 / 95	7.5	109	70	1" 1/2	1180	2601	196x102x156	1280	2822	212x116x178	
NOBEL 37-10 DVF	V60CU97PWS545	37	50	5.4 / 1.71	191 / 61	9.5	138	69	1" 1/2	1120	2469	196x102x156	1220	2690	212x116x178	
NOBEL 37-13 DVF	V60CV97PWS545	37	50	4.52 / 1.70	160 / 60	12.5	181	67	1" 1/2	1120	2469	196x102x156	1220	2690	212x116x178	

Reference conditions: air intake temperature 20°C (68°F) – atmospheric pressure 1 bar (14.5 p.s.i.).  
 Air flow was measured in the following operative pressures: 7 bar for models at 7.5 bar -  
 9 bar for models at 9.5 bar - 9.5 bar for models at 10 bar - 12 bar for models at 12.5 bar - 12.5 bar for models at 13 bar.  
 The data and results were measured in accordance with standard ISO 1217.  
 The sound level was measured in accordance with standard ISO 3744.

# Extend the life and efficiency of your compressor

In addition to offering the highest quality and technologically advanced products, Power System focuses its attention on customer care and full technical and product support, identifying our customer's needs and only then offering the most suitable solutions designed to work for our clients. Our professional technical support team provides on the phone assistance on all technical matters. We also provide on-site consultancy, maintenance plans, energy audits and training programmes etc.

## Long-Life Kit for the scheduled maintenance of Power System screw compressors

To simplify the replacement of service items and to assist with efficient planning of routine maintenance, Power System has developed new spare parts packaging in the form of a "LONG-LIFE KIT", specially designed for each screw compressor model. By utilising our Long-Life Kit customers benefit from: increased maintenance intervals, improved energy efficiency, reduced costs and at the same time ensuring the product's continued performance and reliability and at the same time protecting your investment.



## The importance of original spare parts ...

**FSN** is the brand of the original spare parts for all Power System compressors and identifies our after-sales services. FSN guarantees that all spare parts are original and that they have been carefully selected to satisfy our exacting standards and to meet critical performance and quality standards which are checked, tested and monitored by skilled technicians. Using FSN certified original spare parts reduces management costs and guarantees the efficiency, reliability and longevity of the compressor at the same time providing maximum operator safety and security. Our "Hot-Line" service, guarantees the delivery of urgent spare parts within 24 hours from the order.

## ... and special lubricants

Our synthetic based lubricants - **FSN RotEnergy** - has been specially designed for use in our screw compressors and has been specially developed in cooperation with a world leading manufacturer of Industrial lubricants. Available in various packaging formats and capacities and in multiple or 'bulk' packages: RotEnergyPlus: ensures; low operating temperatures, efficient water separation, reduces friction and energy consumption, extends maintenance intervals, ensures excellent lubrication of the bearings, guaranteeing maximum all round protection.

RotEnergyFood: provides a high-quality lubricant for rotary compressors, suitable for use in the food industry, where specific quality standards are required.



You can download the Long-Life Kit catalogues from the website [www.powersystem.it](http://www.powersystem.it) where you will see the exploded diagrams and spare parts list online, which are continuously updated for each compressor model.



**FNA S.p.A.**

*Registered office and sales department:*

Via Einaudi, 6 - 10070 Robassomero (TO) - Italy

Tel. +39 011 9233000 - Fax +39 011 9241138

*Production plant:*

Via Toscana, 21 - 40069 Zola Predosa (BO) - Italy

**info@fnacompressors.com**

**www.powersystem.it**



**The science of compressed air.**

